

Polypropylene Ball Valves

Natural, unpigmented, virgin polypropylene designed specifically for ultra-pure water.



Our Polypropylene True Blue Ball Valves provide a cost-effective option for ultra-pure water handling applications. They are manufactured from natural, unpigmented virgin polypropylene, containing no plasticizers or fillers. In addition, our valves are assembled dry, eliminating contamination via any lubricants. Following is additional information which may be found useful in your evaluation process.

Characteristics of Natural Polypropylene:

- Homopolymer resin.
- Meets all requirements of the U.S. Food and Drug Administration as specified in the Code of Federal Regulations, Title 21, Section 177.1520, covering safe use of articles intended for food-contact use.
- Underwriters Laboratories yellow card index rating (in a minimum thickness of 0.120 in.) 115°C, UL94 Flammability Class 94HB in 0.58 inch thickness.
- NSF-listed for possible water uses, non-pressure applications. Also, NSF-listed for DWV pipe and fittings, continuous waste.
- CAS# 9003-07-0.



PLAST-O-MATIC VALVES, INC.

1384 Pompton Avenue, Cedar Grove, New Jersey 07009
(973) 256-3000 • Fax (973) 256-4745 • www.plastomatic.com

Polypropylene Ball Valves

TYPICAL RESIN PROPERTIES

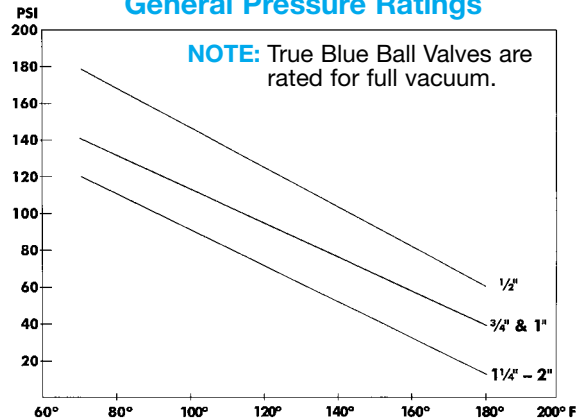
	(a)	(b)	ASTM Method
Melt Flow Rate, dg/min	12		D 1238
Density, g/cm ³	0.903		D 792A-2
Notched Izod Compact Strength			
ft.-lbs/in. (J/m), at 73°F	0.7 (37.3)		
ft.-lbs/in. (J/m), at 0°F	0.3 (16)		
Tensile Strength at Yield PSI (MPa)	5,000 (34.5)		D 638
Elongation at Yield, %	11		D 638
Flexural Modulus, PSI (MPa)	240,000 (1,655)		D 790B
Rockwell Hardness, R Scale	100		D 785A
Deflection Temperature at 66°F (455kPa), °F (°C)	198° (92°)		D 648
Water Absorption after 24 Hrs., %	0.02		D 570
Environmental Stress-Cracking, hrs.	500, No Failure		D1693
Coefficient of Linear Thermal Expansion, cm/cm/°C:			
-30 - 0°C	6.4 x 10 ⁻⁵		
0 - 30°C	8.6 x 10 ⁻⁵		
30 - 60°C	9.4 x 10 ⁻⁵		

Size (In.)	VITON Part Number	EPDM Part Number
1/2	MBV050VT-PP	MBV050EPT-PP
3/4	MBV075VT-PP	MBV075EPT-PP
1	MBV100VT-PP	MBV100EPT-PP
1-1/4	MBV125VT-PP	MBV125EPT-PP
1-1/2	MBV150VT-PP	MBV150EPT-PP
2	MBV200VT-PP	MBV200EPT-PP

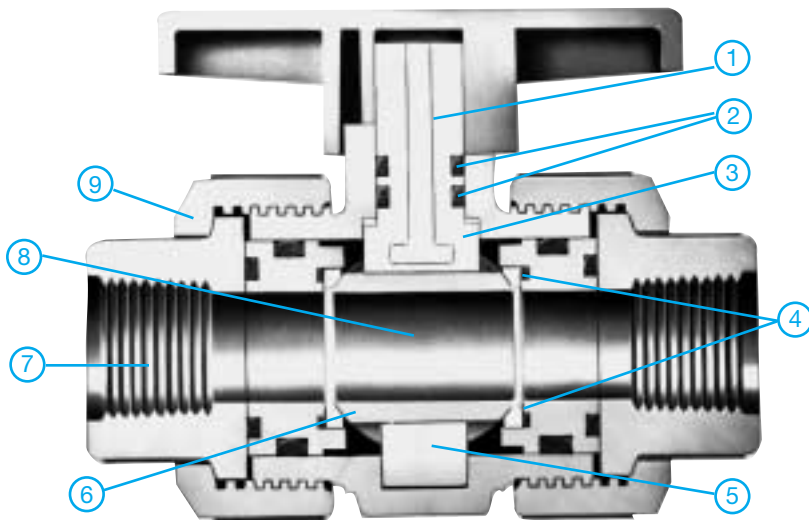
*Above part numbers are for threaded connectors. For sockets, change the "T" in the part number to "S". (Example: MBV050VT-PP becomes MBV050VS-PP). Socket and threaded are the same price. Also available with butt-fused connections.

- (a) Values shown are averages and are not to be considered specifications.
- (b) ASTM test methods are latest under Society's current procedures. All molded specimens prepared by injection (ASTMD 2146).

General Pressure Ratings



Compare the features of the engineered True Blue Valve...



- (1) Ball valve shaft reinforced with stainless steel rod to eliminate breakage.
- (2) Dual shaft seals eliminate stem leakage.
- (3) Teflon bearing on shaft eliminates wear.
- (4) Teflon seats backed up with O-rings eliminate wear and leakage.
- (5) Trunnion ball design allows downstream piping to be disconnected under the full line pressure without leakage.
- (6) Full concentricity and mirror smoothness of ball assures easy, smooth, leakproof operation.
- (7) Multi-direction flow means valve cannot be piped-in backwards.
- (8) Smooth flow path eliminates pressure loss.
- (9) True union ends for ease of piping.
- (10) Mounting lugs for piping support and easy attachment (not shown).



PLAST-O-MATIC VALVES, INC.

1384 Pompton Avenue
 Cedar Grove, New Jersey 07009
 (973) 256-3000 • Fax (973) 256-4745
 www.plastomatic.com

AUTHORIZED PLAST-O-MATIC DISTRIBUTOR